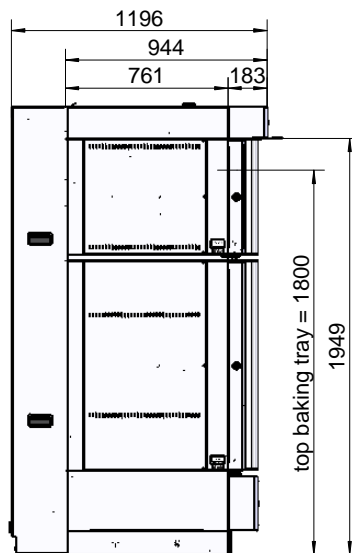
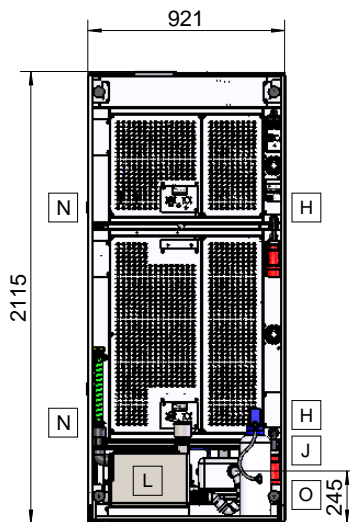


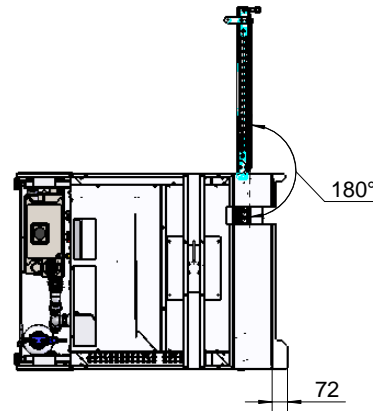
front view



side view



rear view



top view

index directory:

- A baking chamber
- B
- C steam exhaust hood
- D base frame (BF)
- E
- F
- G control panel (optional selectable)
- H electrical connection connecting wire app. 3 m
- H1
- I
- I1 waste steam condenser W1
- J condensate drain DN 40
- K mech. emergency release
- L sewage pump
- M cleaning agent tank
- N water connection R 3/4" 300-600 kPa/hardn, grade 1-3rdH (one water connection per station)
- O water softening unit

control:

DiLa:
PRO TOUCH



technical data:

	DiLa 5	DiLa 10	equipment				
			sewage pump	proofer	LF	IF	BF
supply voltage (EU)	400 V, 3Ph/N/PE, (±10%), 50 Hz		230 V, 1Ph/N/PE, (±10%), 50 Hz				
electrical connection	CEE 5-pole, red		schuko-power plug				
siz (A)	16	32					
connected load (kW)	7,4	12,1	0,32				
fusing of feeder (A)	12,4	22,9	16				
baking surface	1,2 m ²	2,4 m ²					
baking trays 400x600 / 600x800	5 / -	10 / -		n.e.	n.e.	n.e.	-
material	stainless steel K320, door made of tempered safety glass		stainless steel K 320				
equipment-accessory							
sewage pump							x
water softening unit							x
e.Clean System®							x
cooling fan	x						
heat insulation cover	x						

steaming DiLa radial fan steaming

total weight app. 460 kg

The electrical connection has to be complied according to DIN VDE 0623, EN 60309-2 (separator for electrical circuit emergency stop)!

DiLa 10 - 5

- steam exhaust hood with waste steam condenser W1
- base frame with e.Clean System®, sewage pump and water softening unit suitable for loading trolley
- with Soft-Close door lock, LED lightning and TOUCH control

26.11.2014

All rights reserved for these documents according to DIN 34 and BGB!
subject to technical modifications!



Dresdener Strasse 88
02625 Bautzen/ Stiebitz
phone +49 (3591) 360-0
fax +49 (3591) 360-140